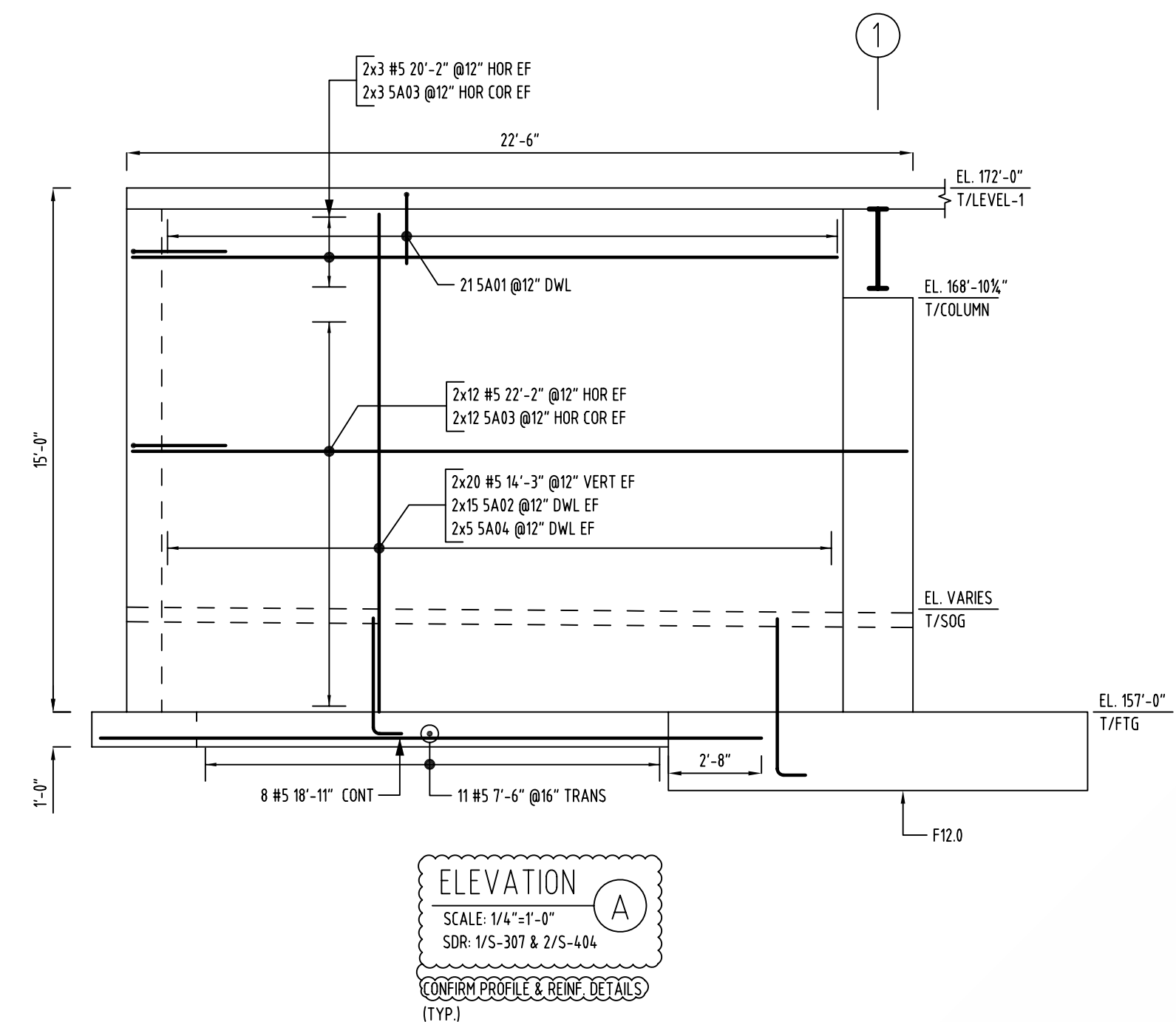


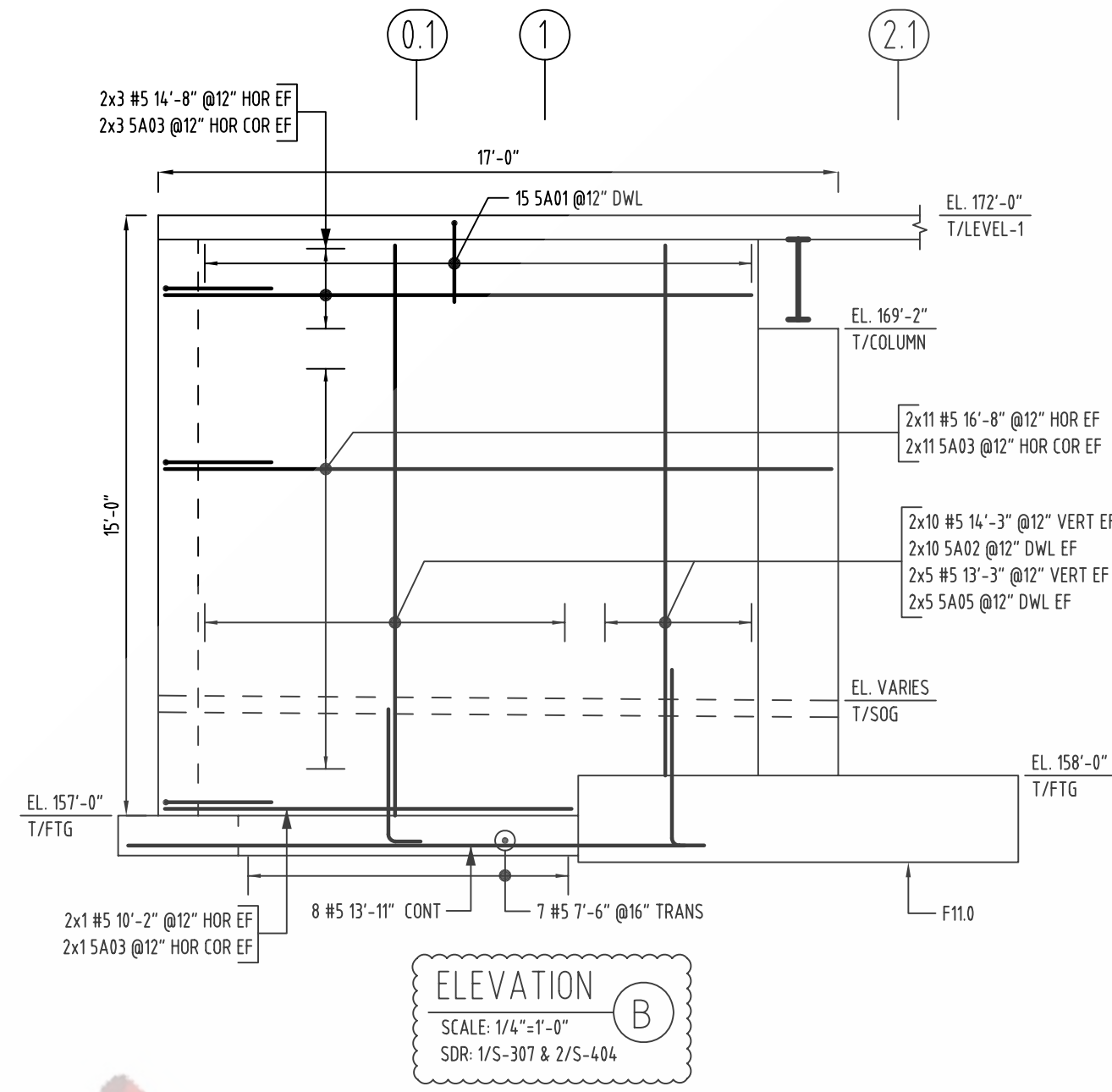
PARTIAL SPREAD FOOTINGS, PIERS, COL. ENCASEMENTS & SHEAR WALLS LAYOUT - GARAGE LEVEL

SCALE: 1/12"=1'-0"
SDR: S-101A

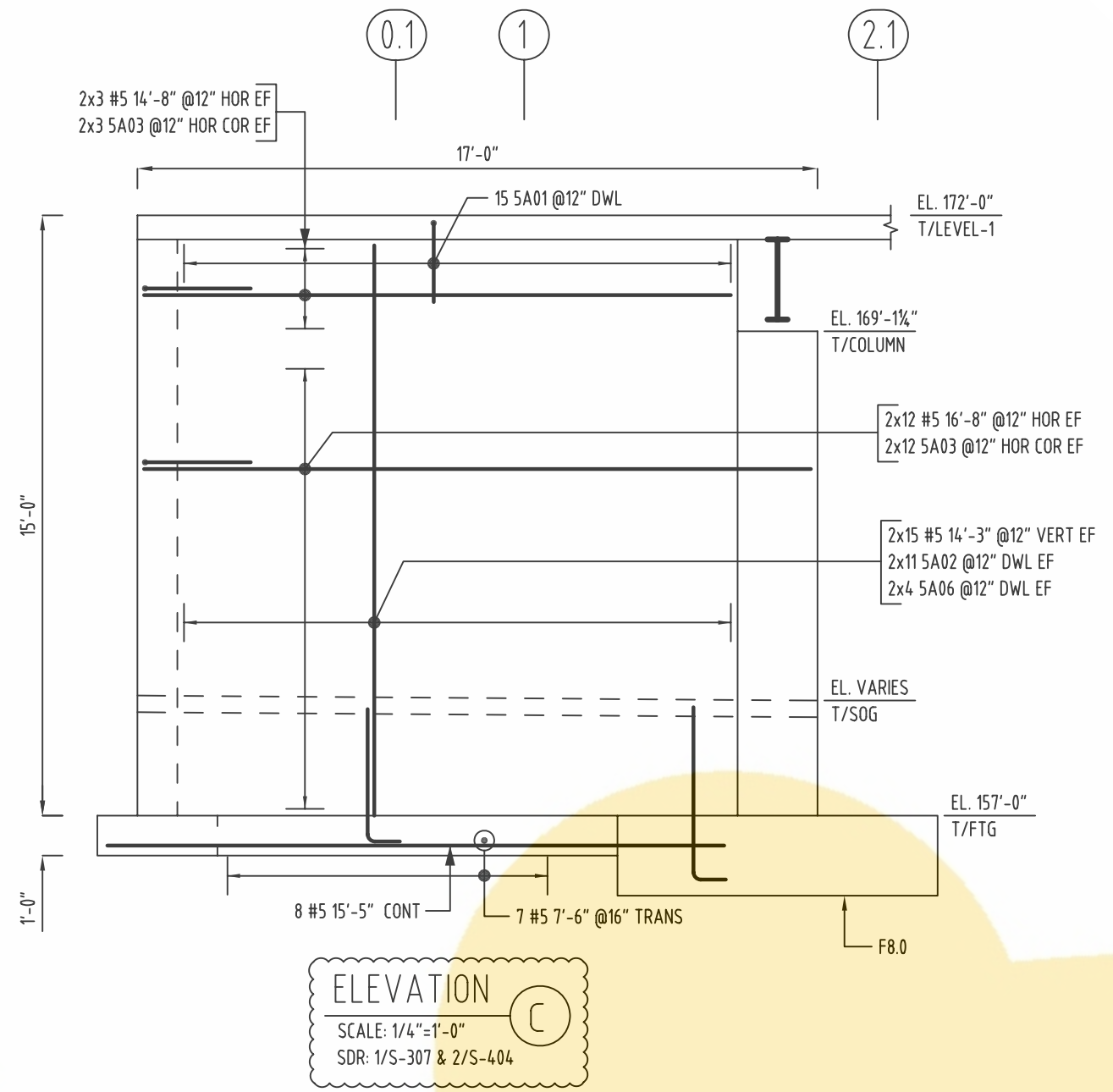
ONCE REBAR SERVICES



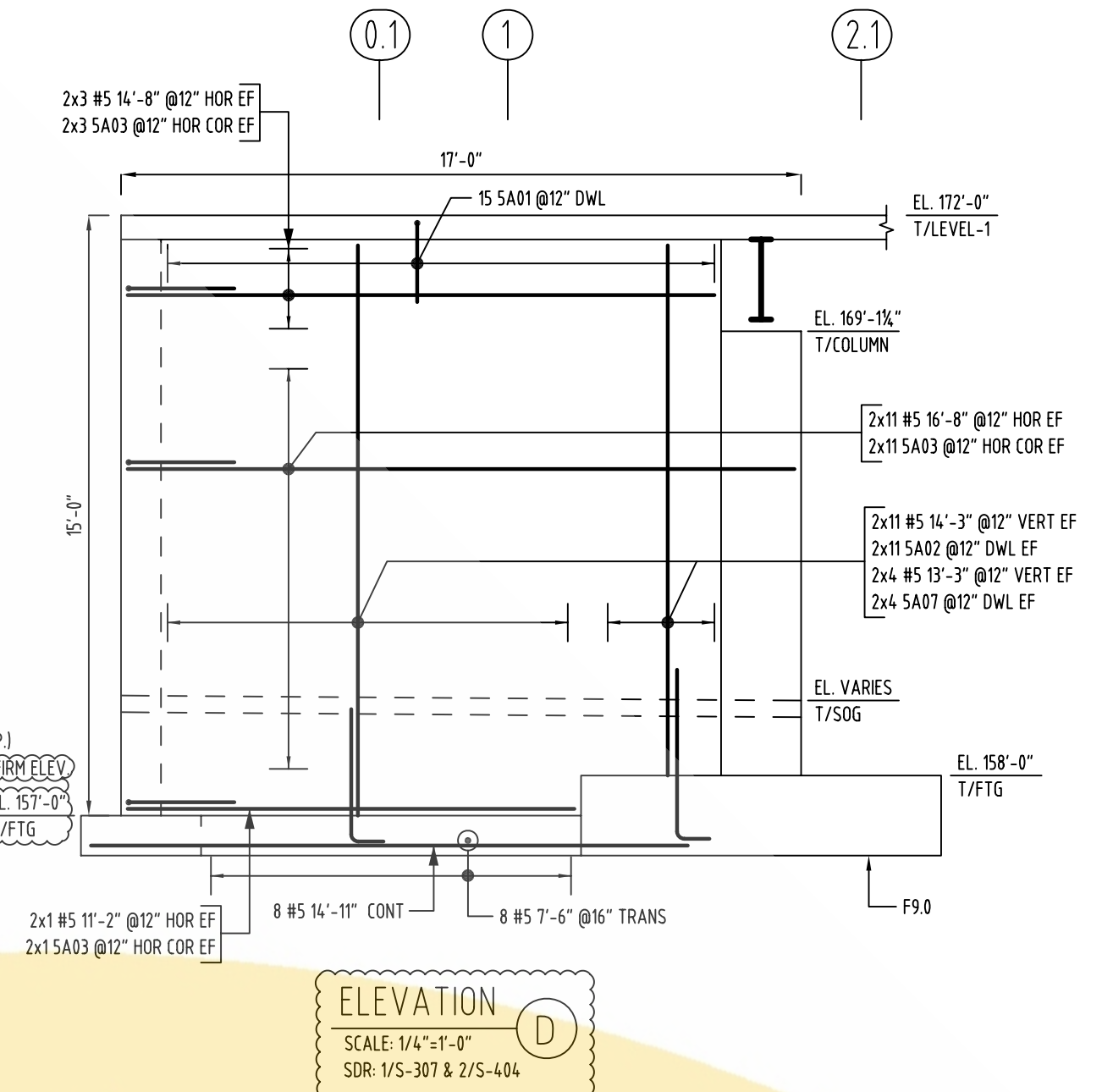
ELEVATION A
SCALE: 1/4"=1'-0"
SDR: 1/S-307 & 2/S-404
CONFORM PROFILE & REIN DETAILS (TYP.)



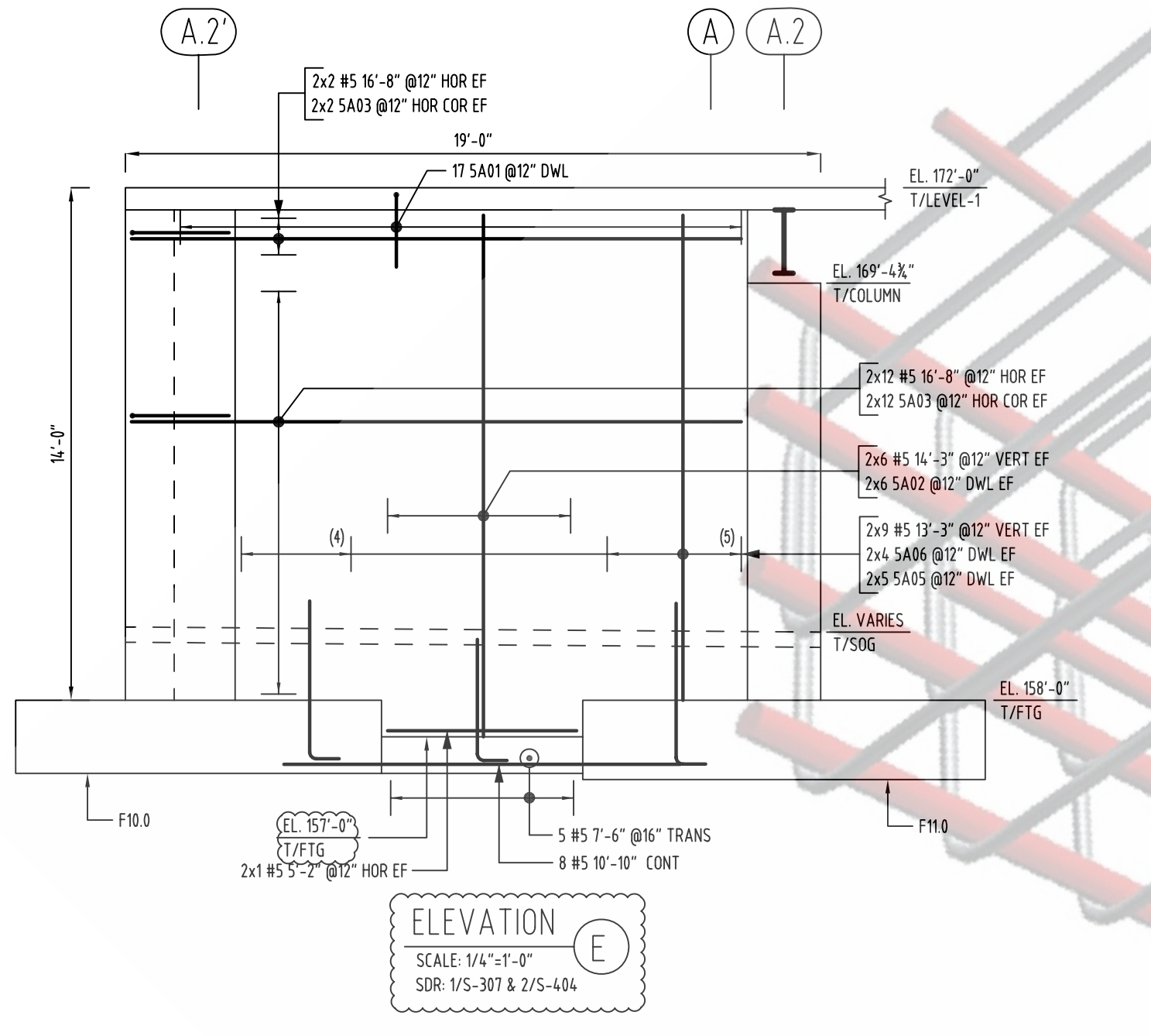
ELEVATION B
SCALE: 1/4"=1'-0"
SDR: 1/S-307 & 2/S-404



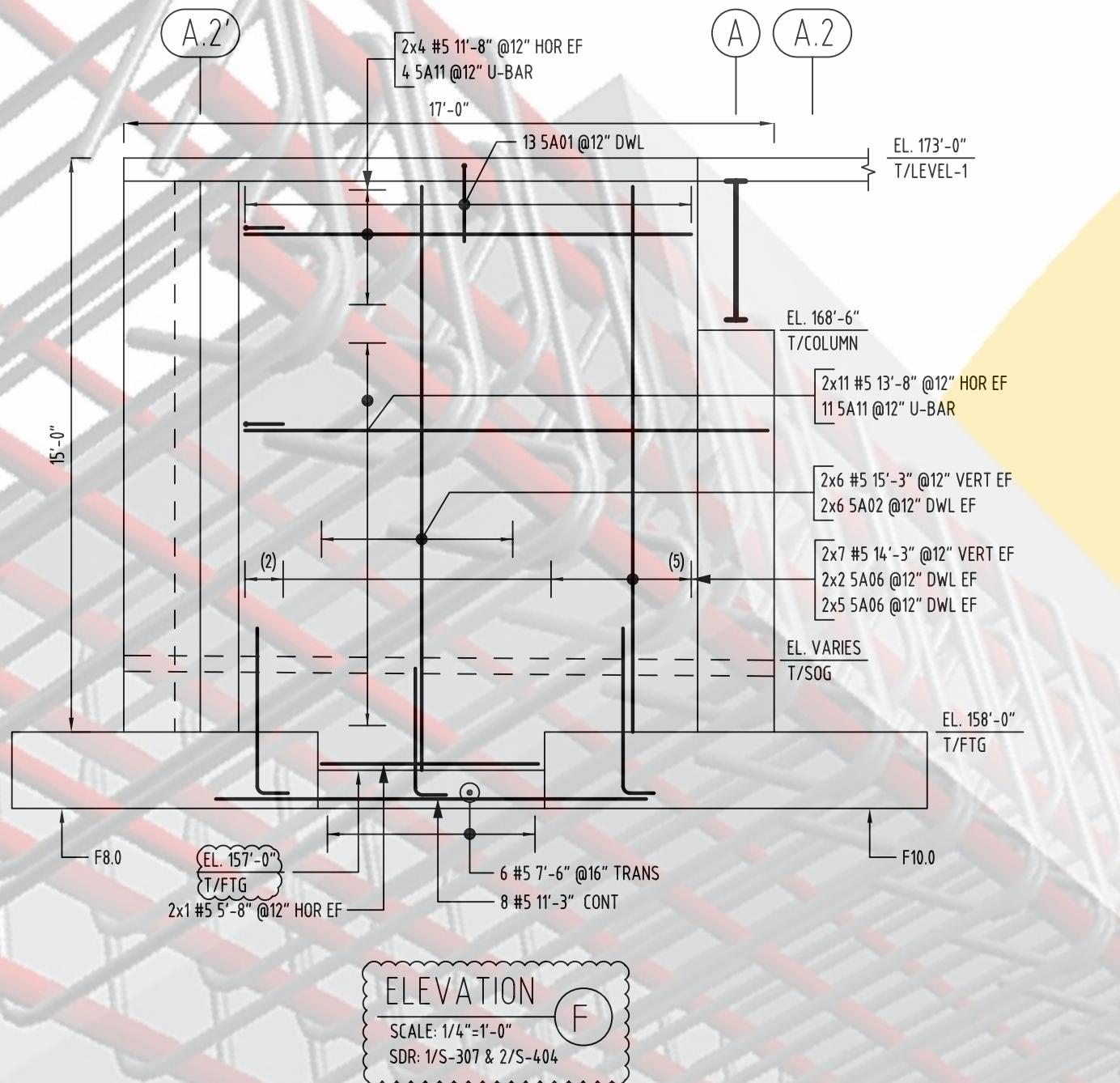
ELEVATION C
SCALE: 1/4"=1'-0"
SDR: 1/S-307 & 2/S-404



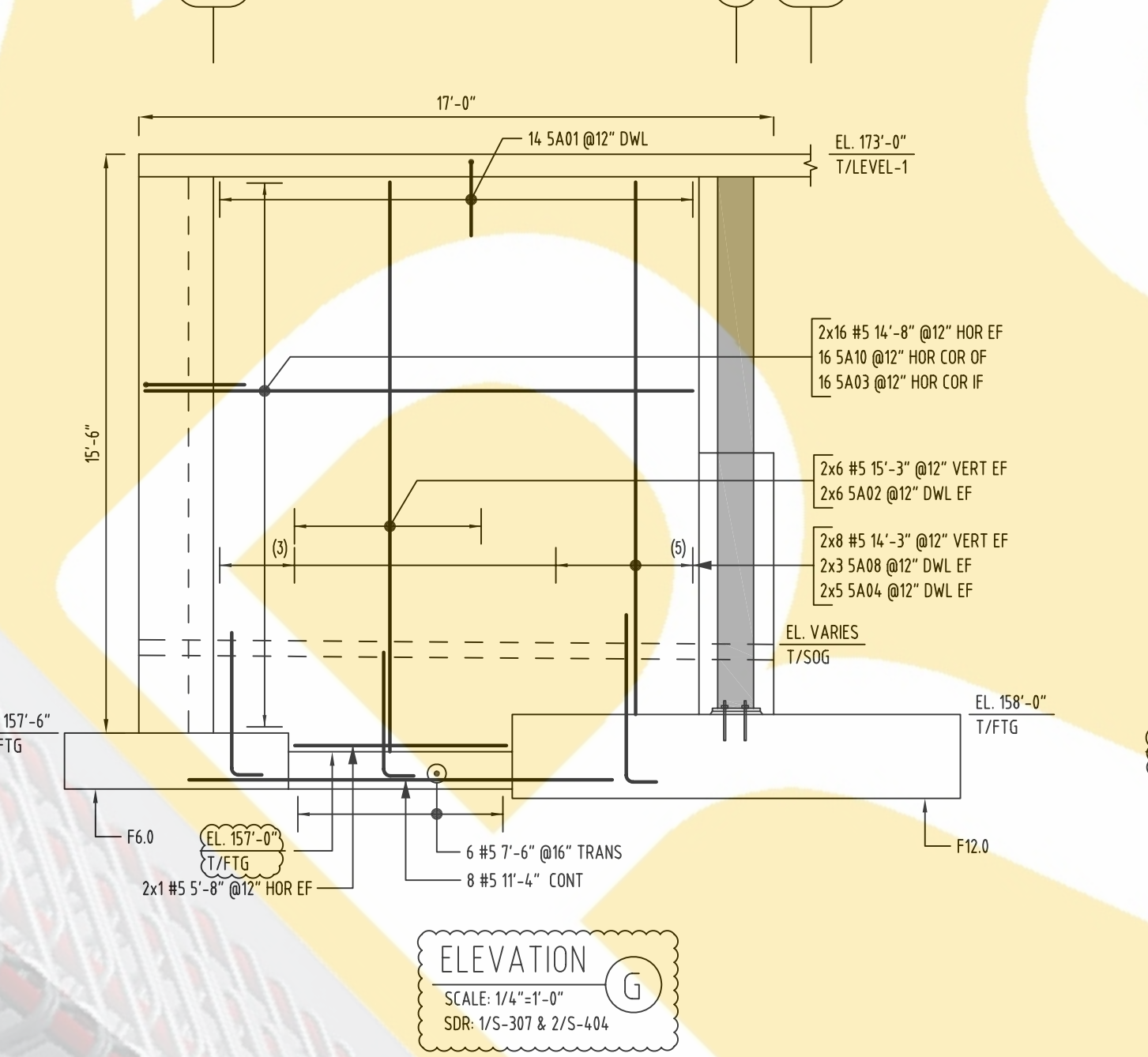
ELEVATION D
SCALE: 1/4"=1'-0"
SDR: 1/S-307 & 2/S-404



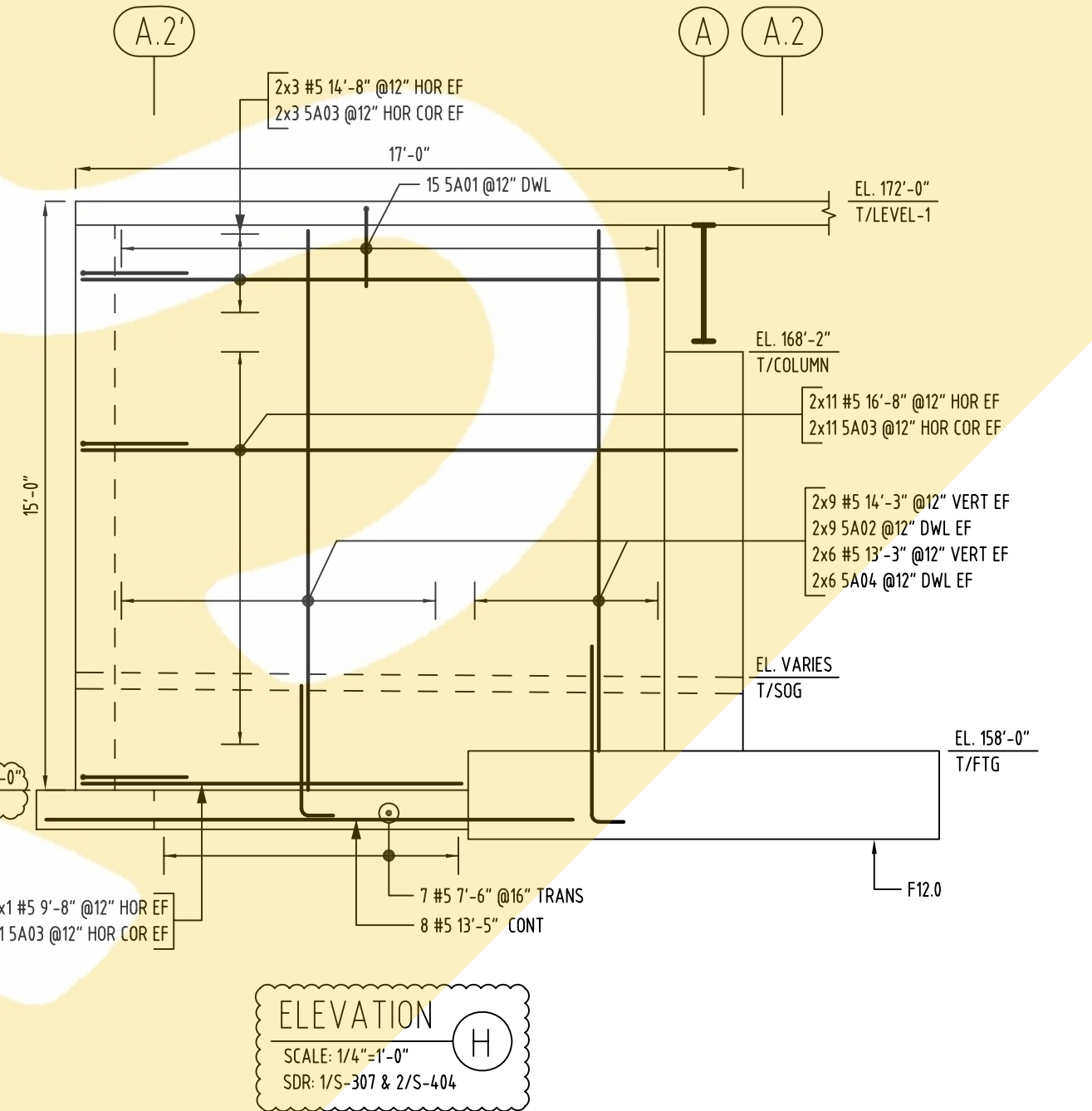
ELEVATION E
SCALE: 1/4"=1'-0"
SDR: 1/S-307 & 2/S-404



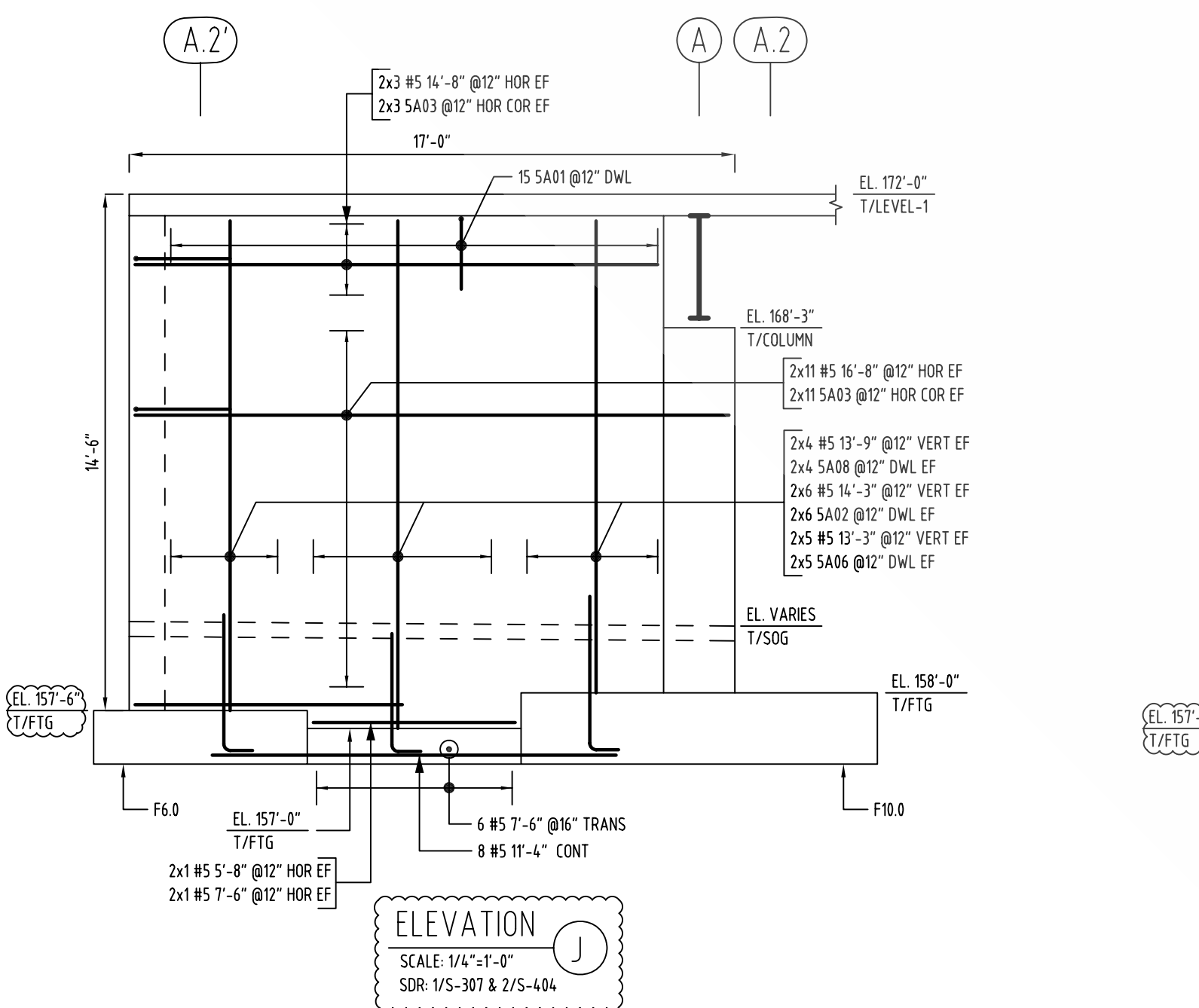
ELEVATION F
SCALE: 1/4"=1'-0"
SDR: 1/S-307 & 2/S-404



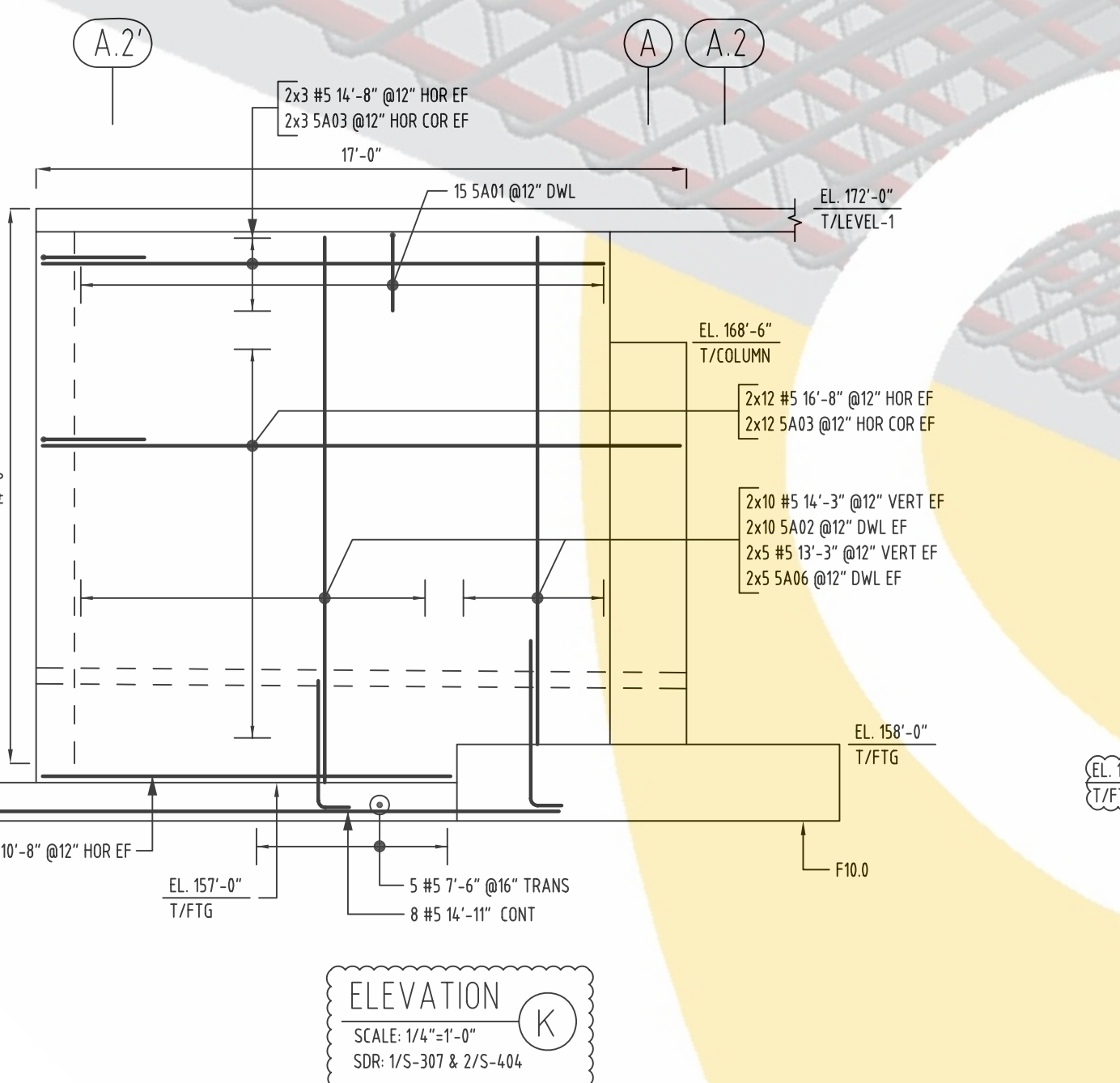
ELEVATION G
SCALE: 1/4"=1'-0"
SDR: 1/S-307 & 2/S-404



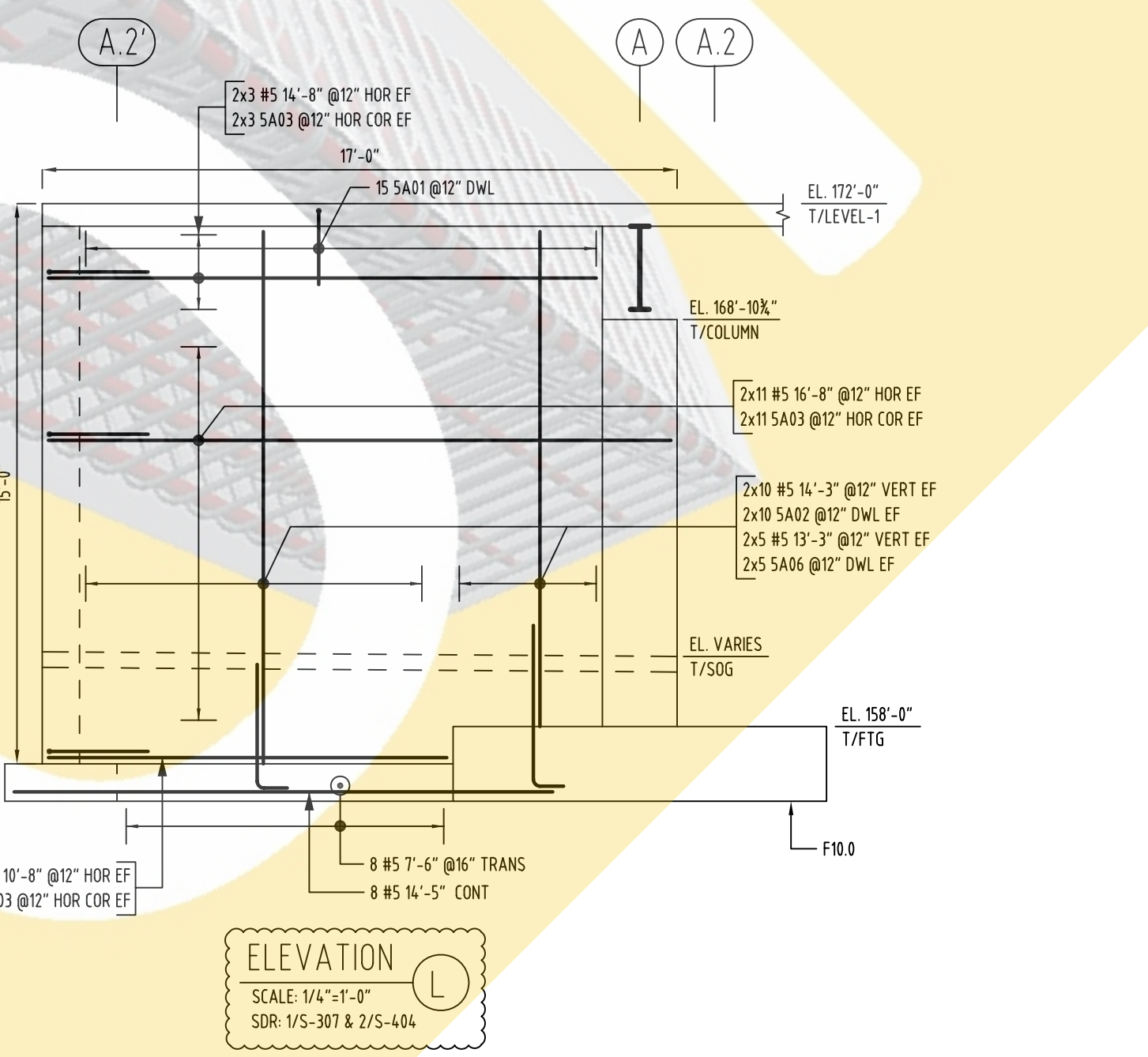
ELEVATION H
SCALE: 1/4"=1'-0"
SDR: 1/S-307 & 2/S-404



ELEVATION J
SCALE: 1/4"=1'-0"
SDR: 1/S-307 & 2/S-404



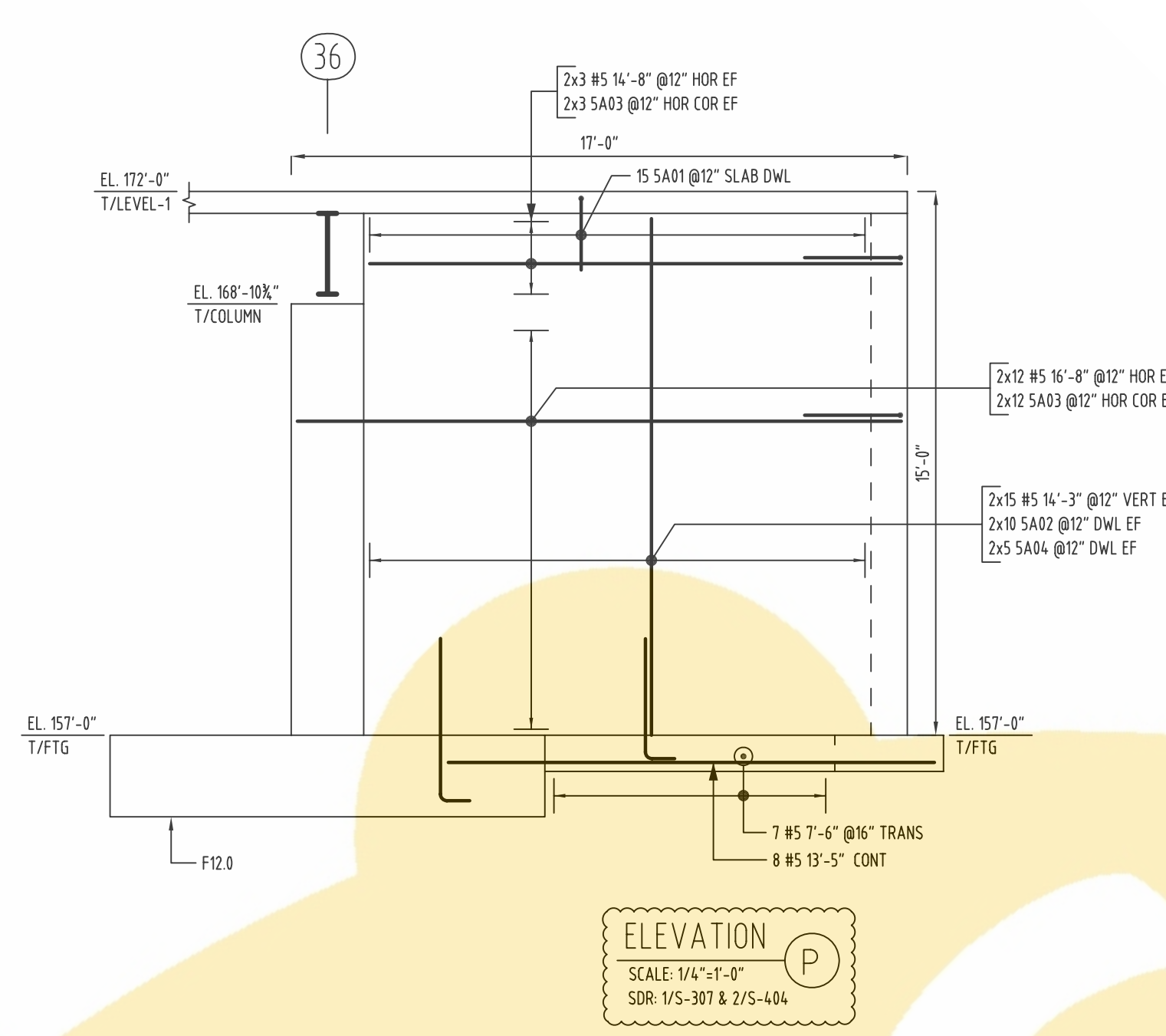
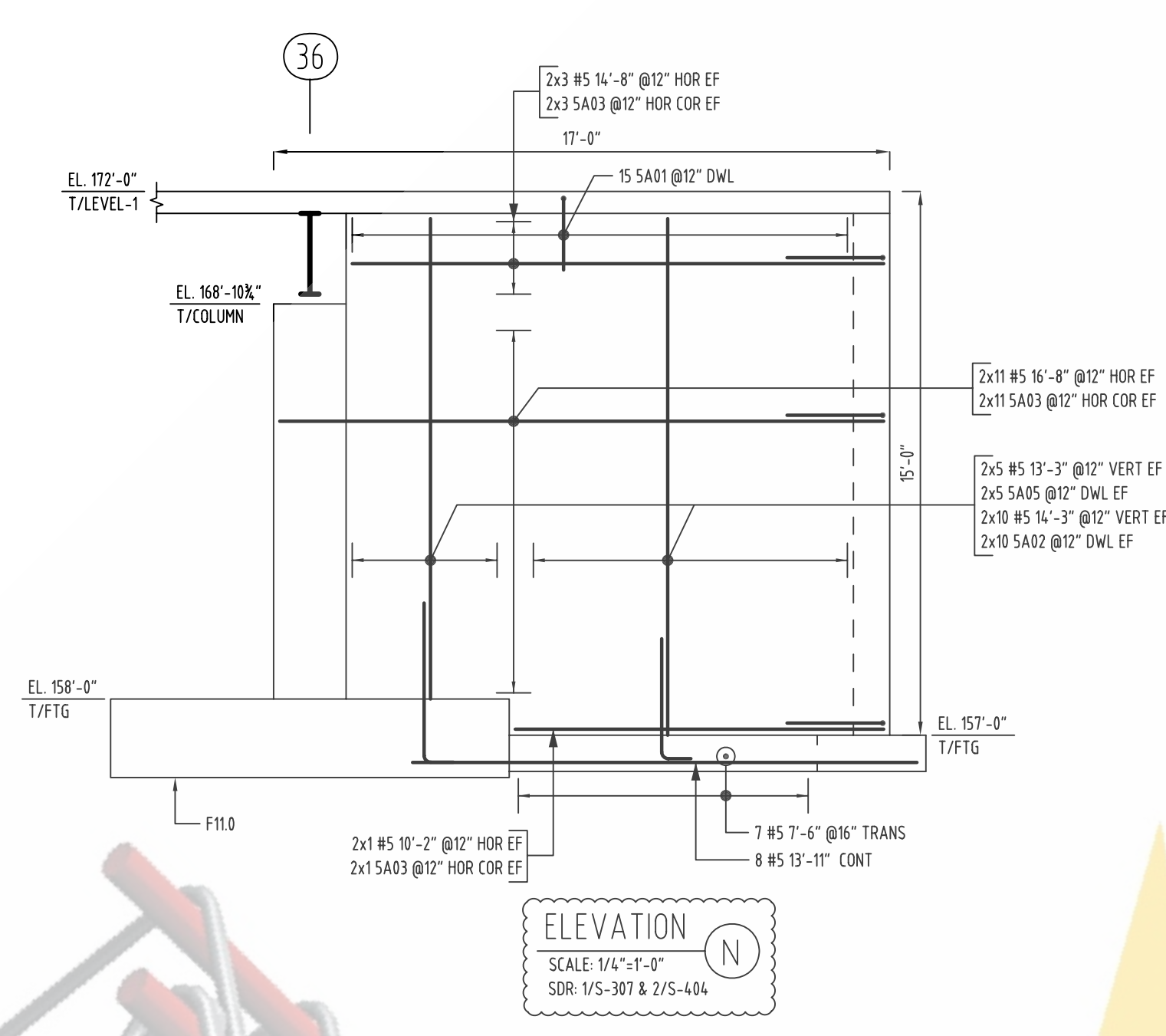
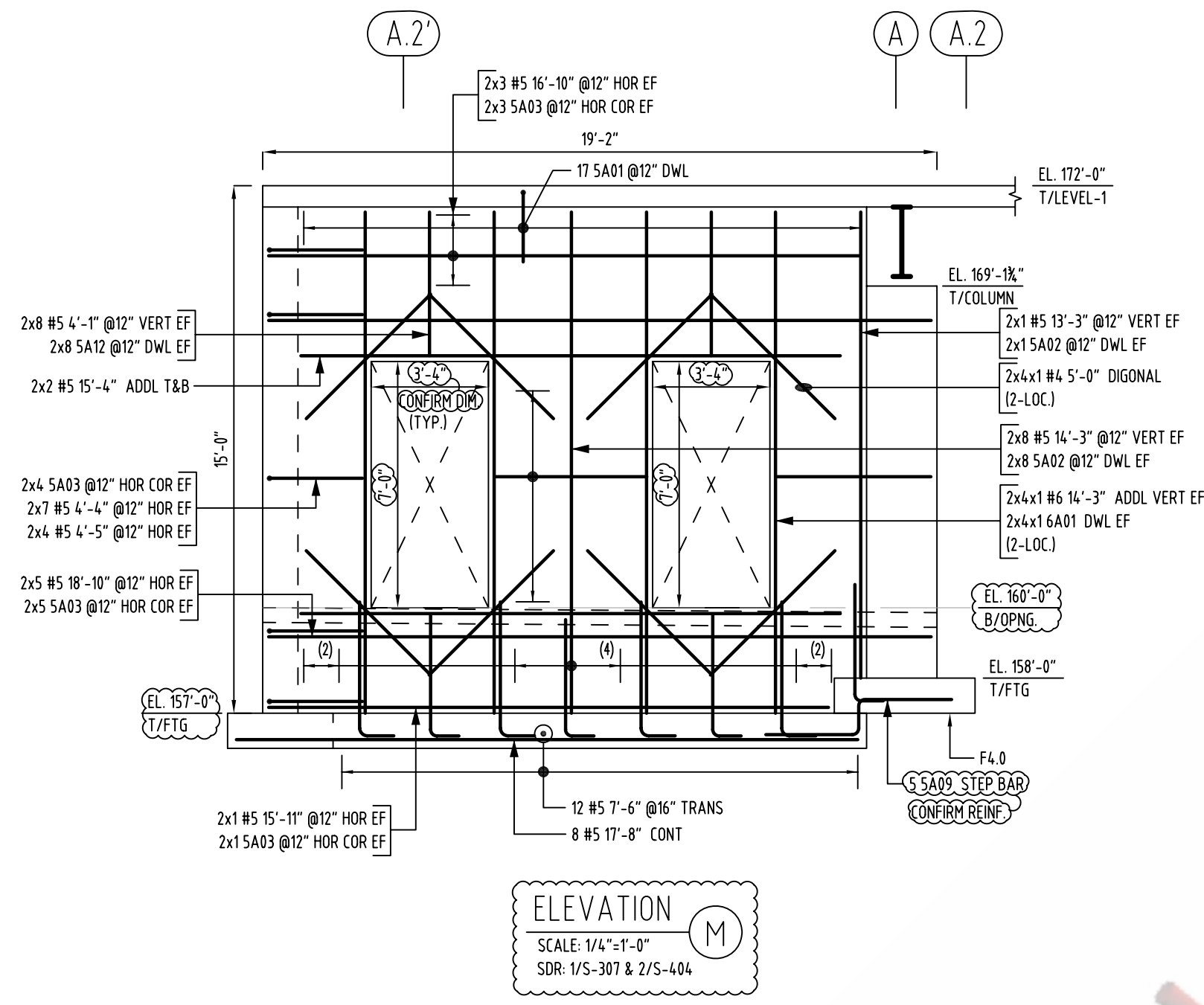
ELEVATION K
SCALE: 1/4"=1'-0"
SDR: 1/S-307 & 2/S-404



ELEVATION L
SCALE: 1/4"=1'-0"
SDR: 1/S-307 & 2/S-404

ONCE REBAR SERVICES

ONCE REBAR SERVICES



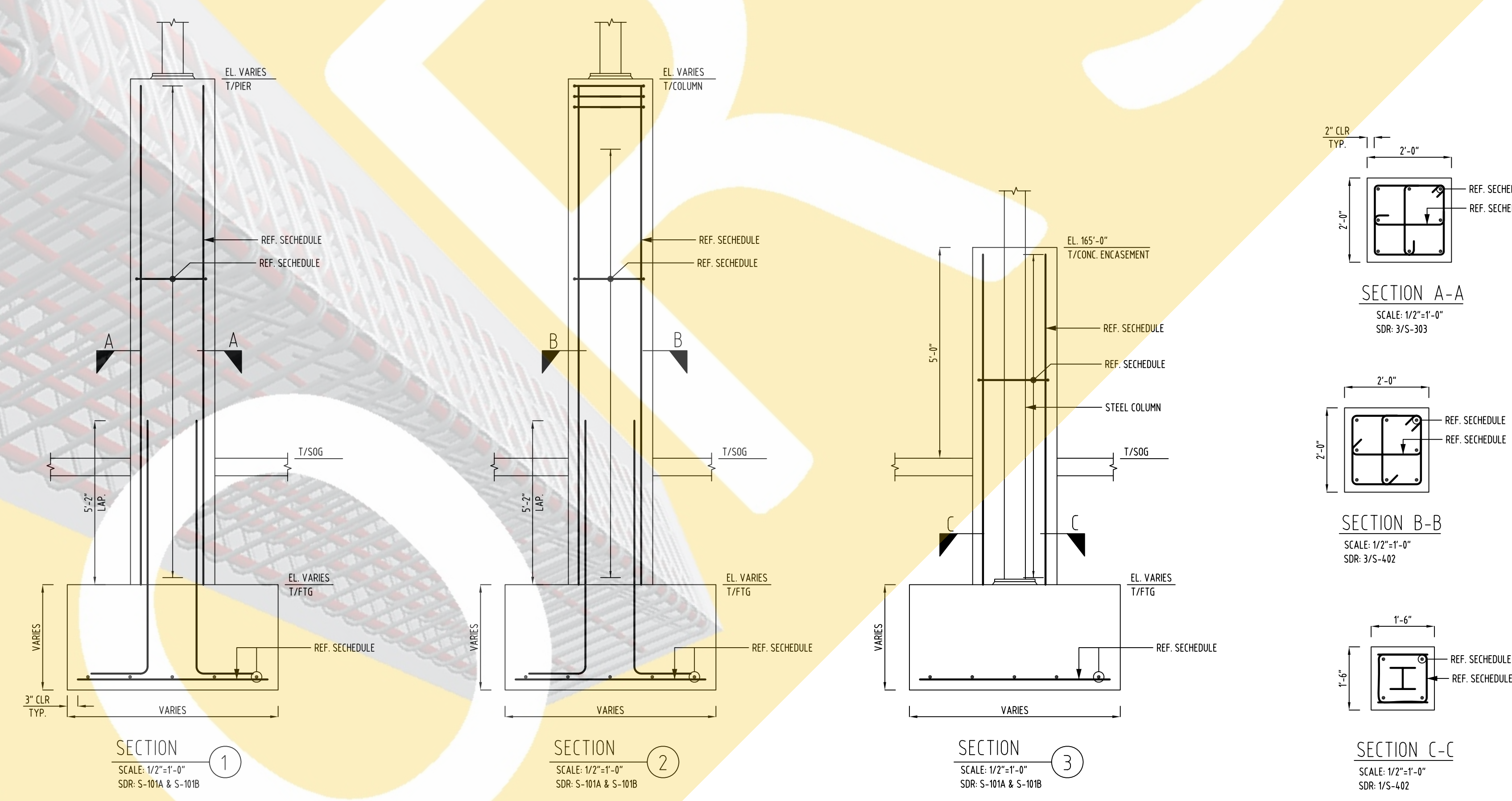
| SPREAD FOOTINGS WITH PIERS/CONC. COLUMNS REINFORCEMENT SCHEDULE | | | | | | | | |
|---|-------------------|--------------------------|------------------|-----------|---------|--------------------------|---|--------------------------|
| FOOTING MARK | FOOTING SIZE | PIER/COLUMN MARK | PIER/COLUMN SIZE | LOCATIONS | T/FTG. | T/PIER (OR) COLUMN | REINFORCEMENT DETAILS | REMARKS |
| F4.0 | 4'-0"x4'-0"x1'-0" | P1 | 24"x24" | 2-LOC. | 157'-0" | 177'-0" | 2x2x5 #4 3'-6" EW BOT 2x8 #A05 DWL 2x8 #8 13'-10" VERT 2x15 #A03 @12" TIES 2x2x15 #A02 @12" CROSS TIES | SECTION-1 SECTION A-A |
| F4.0a | 4'-0"x4'-0"x1'-0" | C1 | 24"x24" | 1-LOC. | 158'-0" | (TYP) CONFIRM PER ELEV M | 2x5 #4 3'-6" EW BOT 8 #A05 DWL 8 #8 11'-0" VERT 11 #A01 @12" TIES 2x11 #A02 @12" CROSS TIES 3 #A01 @3" TIES TOP 2x3 #A02 @3" CROSS TIES TOP | SECTION-2 SECTION B-B |
| F5.0 | 5'-0"x5'-0"x1'-0" | P1 | 24"x24" | 3-LOC. | 157'-0" | 177'-0" | 3x2x5 #5 4'-6" EW BOT 3x8 #A05 DWL 3x8 #8 13'-10" VERT 3x15 #A03 @12" TIES 3x2x15 #A02 @12" CROSS TIES | |
| F5.0a | 5'-0"x5'-0"x1'-0" | P2 | 24"x24" | 1-LOC. | 157'-0" | 177'-0" | 2x5 #5 4'-6" EW BOT 8 #A05 DWL 8 #8 13'-10" VERT 15 #A03 @12" TIES 2x15 #A02 @12" CROSS TIES | |
| F6.0 | 6'-0"x6'-0"x1'-6" | P1 | 24"x24" | 9-LOC. | 157'-6" | 177'-0" | 9x2x7 #5 5'-6" EW BOT 9x8 #A04 DWL 9x8 #8 13'-4" VERT 9x15 #A03 @12" TIES 9x2x15 #A02 @12" CROSS TIES | SECTION-1 SECTION A-A |
| F7.0 | 7'-0"x7'-0"x1'-6" | P1 | 24"x24" | 7-LOC. | 157'-6" | 177'-0" | 7x2x8 #5 6'-6" EW BOT 7x8 #A04 DWL 7x8 #8 13'-4" VERT 7x15 #A03 @12" TIES 7x2x15 #A02 @12" CROSS TIES | |
| F7.0a | 7'-0"x7'-0"x1'-6" | P1 | 24"x24" | 1-LOC. | 158'-0" | 160'-0" | 2x8 #5 6'-6" EW BOT 8 #A03 D/V 3 #A03 @12" TIES 2x3 #A02 @12" CROSS TIES | |
| F8.0 | 8'-0"x8'-0"x2'-0" | P1 | 24"x24" | 5-LOC. | 158'-0" | 177'-0" | 5x2x9 #6 7'-6" EW BOT 5x8 #A01 DWL 5x8 #8 12'-10" VERT 5x14 #A03 @12" TIES 5x2x14 #A02 @12" CROSS TIES | |
| F8.0a | 8'-0"x8'-0"x2'-0" | C1 | 24"x24" | 1-LOC. | 157'-0" | (TYP) CONFIRM PER ELEV M | 2x9 #6 7'-6" EW BOT 8 #A01 DWL 8 #8 12'-0" VERT 12 #A01 @12" TIES 2x12 #A02 @12" CROSS TIES 3 #A01 @3" TIES TOP 2x3 #A02 @3" CROSS TIES TOP | SECTION-2 SECTION B-B |
| F8.0b | 8'-0"x8'-0"x2'-0" | (TYP) CONFIRM PER ELEV M | 24"x24" | 1-LOC. | 154'-0" | (TYP) CONFIRM PER ELEV M | 2x9 #6 7'-6" EW BOT 8 #A01 DWL 8 #8 15'-10" VERT 17 #A03 @12" TIES 2x17 #A02 @12" CROSS TIES | SECTION-1 SECTION A-A |
| F9.0 | 9'-0"x9'-0"x2'-0" | P1 | 24"x24" | 1-LOC. | 158'-0" | 169'-0" | 2x10 #7 8'-6" EW BOT 8 #A02 DWL 8 #8 10'-10" VERT 12 #A03 @12" TIES 2x12 #A02 @12" CROSS TIES | |

| SPREAD FOOTINGS WITH PIERS/CONC. COLUMNS REINFORCEMENT SCHEDULE | | | | | | | | |
|---|---------------------|------------------|------------------|-----------|---------|--------------------------|--|--------------------------|
| FOOTING MARK | FOOTING SIZE | PIER/COLUMN MARK | PIER/COLUMN SIZE | LOCATIONS | T/FTG. | T/PIER (OR) COLUMN | REINFORCEMENT DETAILS | REMARKS |
| F9.0a | 9'-0"x9'-0"x2'-0" | P1 | 24"x24" | 1-LOC. | 158'-0" | (TYP) CONFIRM PER ELEV M | 2x10 #7 8'-6" EW BOT 8 #A02 DWL 8 #8 10'-6" VERT 12 #A03 @12" TIES 2x12 #A02 @12" CROSS TIES | SECTION-1 SECTION A-A |
| F9.0b | 9'-0"x9'-0"x2'-0" | C1 | 24"x24" | 1-LOC. | 158'-0" | (TYP) CONFIRM PER ELEV M | 2x10 #7 8'-6" EW BOT 8 #A02 DWL 8 #8 11'-0" VERT 11 #A01 @12" TIES 2x11 #A02 @12" CROSS TIES 3 #A01 @3" TIES TOP 2x3 #A02 @3" CROSS TIES TOP | SECTION-2 SECTION B-B |
| F9.0c | 9'-0"x9'-0"x2'-0" | P1 | 24"x24" | 1-LOC. | 158'-0" | (TYP) CONFIRM PER ELEV M | 2x10 #7 8'-6" EW BOT 8 #A02 DWL 8 #8 10'-3" VERT 12 #A03 @12" TIES 2x12 #A02 @12" CROSS TIES | |
| F9.0d | 9'-0"x9'-0"x2'-0" | P1 | 24"x24" | 1-LOC. | 158'-0" | 177'-0" | 2x10 #7 8'-6" EW BOT 8 #A02 DWL 8 #8 12'-10" VERT 14 #A03 @12" TIES 2x14 #A02 @12" CROSS TIES | |
| F9.0e | 9'-0"x9'-0"x2'-0" | P1 | 24"x24" | 1-LOC. | 154'-3" | 177'-0" | 2x10 #7 8'-6" EW BOT 8 #A02 DWL 8 #8 16'-7" VERT 18 #A03 @12" TIES 2x18 #A02 @12" CROSS TIES | SECTION-1 SECTION A-A |
| F9.0f | 9'-0"x9'-0"x2'-0" | P1 | 24"x24" | 1-LOC. | 158'-0" | 177'-0" | 2x10 #7 8'-6" EW BOT 8 #A02 DWL 8 #8 14'-10" VERT 16 #A03 @12" TIES 2x16 #A02 @12" CROSS TIES | |
| F9.0g | 9'-0"x9'-0"x2'-0" | P1 | 24"x24" | 1-LOC. | 154'-3" | 177'-0" | 2x10 #7 8'-6" EW BOT 8 #A02 DWL 8 #8 16'-7" VERT 18 #A03 @12" TIES 2x18 #A02 @12" CROSS TIES | SECTION-1 SECTION A-A |
| F9.0h | 9'-0"x9'-0"x2'-0" | P1 | 24"x24" | 1-LOC. | 156'-0" | 177'-0" | 2x10 #7 8'-6" EW BOT 8 #A02 DWL 8 #8 14'-10" VERT 16 #A03 @12" TIES 2x16 #A02 @12" CROSS TIES | |
| F10.0 | 10'-0"x10'-0"x2'-0" | P1 | 24"x24" | 3-LOC. | 158'-0" | 177'-0" | 3x2x12 #6 9'-6" EW BOT 3x8 #A01 DWL 3x8 #8 12'-10" VERT 3x14 #A03 @12" TIES 3x2x14 #A02 @12" CROSS TIES | |
| F10.0a | 10'-0"x10'-0"x2'-0" | C1 | 24"x24" | 1-LOC. | 158'-0" | (TYP) CONFIRM PER ELEV M | 2x12 #6 9'-6" EW BOT 8 #A01 DWL 8 #8 10'-4" VERT 10 #A01 @12" TIES 2x10 #A02 @12" CROSS TIES 3 #A01 @3" TIES TOP 2x3 #A02 @3" CROSS TIES TOP | SECTION-2 SECTION B-B |
| F10.0b | 10'-0"x10'-0"x2'-0" | C1 | 24"x24" | 1-LOC. | 158'-0" | (TYP) CONFIRM PER ELEV M | 2x12 #6 9'-6" EW BOT 8 #A01 DWL 8 #8 10'-1" VERT 10 #A01 @12" TIES 2x10 #A02 @12" CROSS TIES 3 #A01 @3" TIES TOP 2x3 #A02 @3" CROSS TIES TOP | SECTION-2 SECTION B-B |
| F10.0c | 10'-0"x10'-0"x2'-0" | C1 | 24"x24" | 1-LOC. | 158'-0" | (TYP) CONFIRM PER ELEV M | 2x12 #6 9'-6" EW BOT 8 #A01 DWL 8 #8 10'-4" VERT 10 #A01 @12" TIES 2x10 #A02 @12" CROSS TIES 3 #A01 @3" TIES TOP 2x3 #A02 @3" CROSS TIES TOP | SECTION-2 SECTION B-B |

| SPREAD FOOTINGS WITH PIERS/CONC. COLUMNS REINFORCEMENT SCHEDULE | | | | | | | | |
|---|---------------------|------------------|------------------|-----------|---------|--------------------|--|--------------------------|
| FOOTING MARK | FOOTING SIZE | PIER/COLUMN MARK | PIER/COLUMN SIZE | LOCATIONS | T/FTG. | T/PIER (OR) COLUMN | REINFORCEMENT DETAILS | REMARKS |
| F10.0d | 10'-0"x10'-0"x2'-0" | C1 | 24"x24" | 1-LOC. | 158'-0" | 168'-10" | 2x12 #6 9'-6" EW BOT 8 #8 @12" DWL 8 #8 10'-9" VERT 11 #4 @12" TIES 2x11 #4 @12" CROSS TIES 3 #4 @12" TIES TOP 2x3 #4 @12" CROSS TIES TOP | SECTION-2 SECTION B-B |
| F11.0 | 11'-0"x11'-0"x2'-2" | C1 | 24"x24" | 1-LOC. | 158'-0" | 168'-10" | 2x11 #7 10'-6" EW BOT 8 #8 @12" DWL 8 #8 10'-9" VERT 11 #4 @12" TIES 2x11 #4 @12" CROSS TIES 3 #4 @12" TIES TOP 2x3 #4 @12" CROSS TIES TOP | |
| F11.0a | 11'-0"x11'-0"x2'-2" | C1 | 24"x24" | 1-LOC. | 158'-0" | 169'-10" | 2x11 #7 10'-6" EW BOT 8 #8 @12" DWL 8 #8 11'-3" VERT 11 #4 @12" TIES 2x11 #4 @12" CROSS TIES 3 #4 @12" TIES TOP 2x3 #4 @12" CROSS TIES TOP | |
| F11.0b | 11'-0"x11'-0"x2'-2" | C1 | 24"x24" | 1-LOC. | 158'-0" | 169'-2" | 2x11 #7 10'-6" EW BOT 8 #8 @12" DWL 8 #8 11'-0" VERT 11 #4 @12" TIES 2x11 #4 @12" CROSS TIES 3 #4 @12" TIES TOP 2x3 #4 @12" CROSS TIES TOP | SECTION-1 SECTION A-A |
| F11.0c | 11'-0"x11'-0"x2'-2" | P1 | 24"x24" | 1-LOC. | 154'-8" | 159'-0" | 2x11 #7 10'-6" EW BOT 8 #8 @12" DWL 5 #4 @12" TIES 2x5 #4 @12" CROSS TIES | |
| F12.0 | 12'-0"x12'-0"x2'-3" | C1 | 24"x24" | 1-LOC. | 157'-0" | 168'-10" | 2x10 #8 11'-6" EW BOT 8 #8 @12" DWL 8 #8 11'-9" VERT 11 #4 @12" TIES 2x11 #4 @12" CROSS TIES 3 #4 @12" TIES TOP 2x3 #4 @12" CROSS TIES TOP | |
| F12.0a | 12'-0"x12'-0"x2'-3" | C1 | 24"x24" | 1-LOC. | 158'-0" | 168'-2" | 2x10 #8 11'-6" EW BOT 8 #8 @12" DWL 8 #8 10'-9" VERT 10 #4 @12" TIES 2x10 #4 @12" CROSS TIES 3 #4 @12" TIES TOP 2x3 #4 @12" CROSS TIES TOP | SECTION-2 SECTION B-B |
| F12.0b | 12'-0"x12'-0"x2'-3" | C1 | 24"x24" | 1-LOC. | 157'-0" | 168'-10" | 2x10 #8 11'-6" EW BOT 8 #8 @12" DWL 8 #8 11'-8" VERT 11 #4 @12" TIES 2x11 #4 @12" CROSS TIES 3 #4 @12" TIES TOP 2x3 #4 @12" CROSS TIES TOP | |
| F12.0c | 12'-0"x12'-0"x2'-3" | P1 | 24"x24" | 1-LOC. | 154'-6" | 159'-0" | 2x10 #8 11'-6" EW BOT 8 #8 @12" DWL 5 #4 @12" TIES 2x5 #4 @12" CROSS TIES | SECTION-1 SECTION A-A |
| F12.0d | 12'-0"x12'-0"x2'-3" | P1 | 24"x24" | 1-LOC. | 155'-0" | 159'-0" | 2x10 #8 11'-6" EW BOT 8 #8 @12" DWL 5 #4 @12" TIES 2x5 #4 @12" CROSS TIES | |
| F13.0a | 13'-0"x13'-0"x2'-5" | P1 | 24"x24" | 2-LOC. | 158'-6" | 171'-0" | 2x2x12 #8 12'-6" EW BOT 2x8 #8 @12" DWL 2x8 #8 12'-4" VERT 2x14 #4 @12" TIES 2x2x14 #4 @12" CROSS TIES | |

| SPREAD FOOTINGS WITH COLUMN ENCASEMENTS REINFORCEMENT SCHEDULE | | | | | | | |
|--|----------------------|----------------------|-----------|---------|-------------------|--|--------------------------|
| FOOTING MARK | FOOTING SIZE | COL. ENCASEMENT SIZE | LOCATIONS | T/FTG. | T/COL. ENCASEMENT | REINFORCEMENT DETAILS | REMARKS |
| F8.0c | 8'-0"x8'-0"x2'-0" | 18"x18" | 3-LOC. | 158'-0" | 165'-0" | 3x2x9 #6 7'-6" EW BOT 3x4 #6 6'-10" VERT 3x2x8 #4 @12" TIES | SECTION-3 SECTION C-C |
| F9.0d | 9'-0"x9'-0"x2'-0" | 18"x18" | 1-LOC. | 157'-0" | 165'-0" | 2x10 #7 8'-6" EW BOT 4 #6 7'-10" VERT 2x9 #4 @12" TIES | |
| F9.0e | 9'-0"x9'-0"x2'-0" | 18"x18" | 3-LOC. | 158'-0" | 165'-0" | 3x2x10 #7 8'-6" EW BOT 3x4 #6 6'-10" VERT 3x2x8 #4 @12" TIES | |
| F10.0e | 10'-0"x10'-0"x2'-0" | 18"x18" | 10-LOC. | 158'-0" | 165'-0" | 10x2x12 #6 9'-6" EW BOT 10x4 #6 6'-10" VERT 10x2x8 #4 @12" TIES | SECTION-3 SECTION C-C |
| F10.0f | 10'-0"x10'-0"x2'-0" | 18"x18" | 1-LOC. | 155'-0" | 165'-0" | 2x12 #6 9'-6" EW BOT 4 #6 9'-10" VERT 2x11 #4 @12" TIES | |
| F11.0d | 11'-0"x11'-0"x2'-2" | 18"x18" | 12-LOC. | 158'-0" | 165'-0" | 12x2x11 #7 10'-6" EW BOT 12x4 #6 6'-10" VERT 12x2x8 #4 @12" TIES | |
| F12.0e | 12'-0"x12'-0"x2'-3" | 18"x18" | 22-LOC. | 158'-0" | 165'-0" | 22x2x10 #8 11'-6" EW BOT 22x4 #6 6'-10" VERT 22x2x8 #4 @12" TIES | |
| F13.0 | 13'-0"x13'-0"x2'-6" | 18"x18" | 14-LOC. | 158'-0" | 165'-0" | 14x2x12 #8 12'-6" EW BOT 14x4 #6 6'-10" VERT 14x2x8 #4 @12" TIES | |
| F14.0 | 14'-0"x14'-0"x2'-7" | 18"x18" | 10-LOC. | 158'-0" | 165'-0" | 10x2x11 #9 13'-6" EW BOT 10x4 #6 6'-10" VERT 10x2x8 #4 @12" TIES | |
| F15.0 | 15'-0"x15'-0"x2'-6" | 18"x18" | 1-LOC. | 158'-0" | 165'-0" | 2x14 #8 14'-6" EW BOT 4 #6 6'-10" VERT 2x8 #4 @12" TIES | |
| F16.0 | 16'-0"x16'-0"x2'-11" | 18"x18" | 3-LOC. | 158'-0" | 165'-0" | 3x2x14 #9 15'-6" EW BOT 3x4 #6 6'-10" VERT 3x2x8 #4 @12" TIES | |
| F17.0 | 17'-0"x17'-0"x2'-6" | 18"x18" | 1-LOC. | 158'-0" | 165'-0" | 2x12 #8 16'-6" EW BOT 4 #6 6'-10" VERT 2x8 #4 @12" TIES | |
| F18.0 | 18'-0"x18'-0"x3'-0" | 18"x18" | 3-LOC. | 158'-0" | 165'-0" | 3x2x14 #9 17'-6" EW BOT 3x4 #6 6'-10" VERT 3x2x8 #4 @12" TIES | |

| LAP SCHEDULE | | |
|--------------|----------|--------|
| SIZE | 4000 PSI | |
| | TOP | OTHERS |
| #3 | 24 | 19 |
| #4 | 32 | 25 |
| #5 | 40 | 32 |
| #6 | 48 | 38 |
| #7 | 70 | 55 |
| #8 | 80 | 62 |

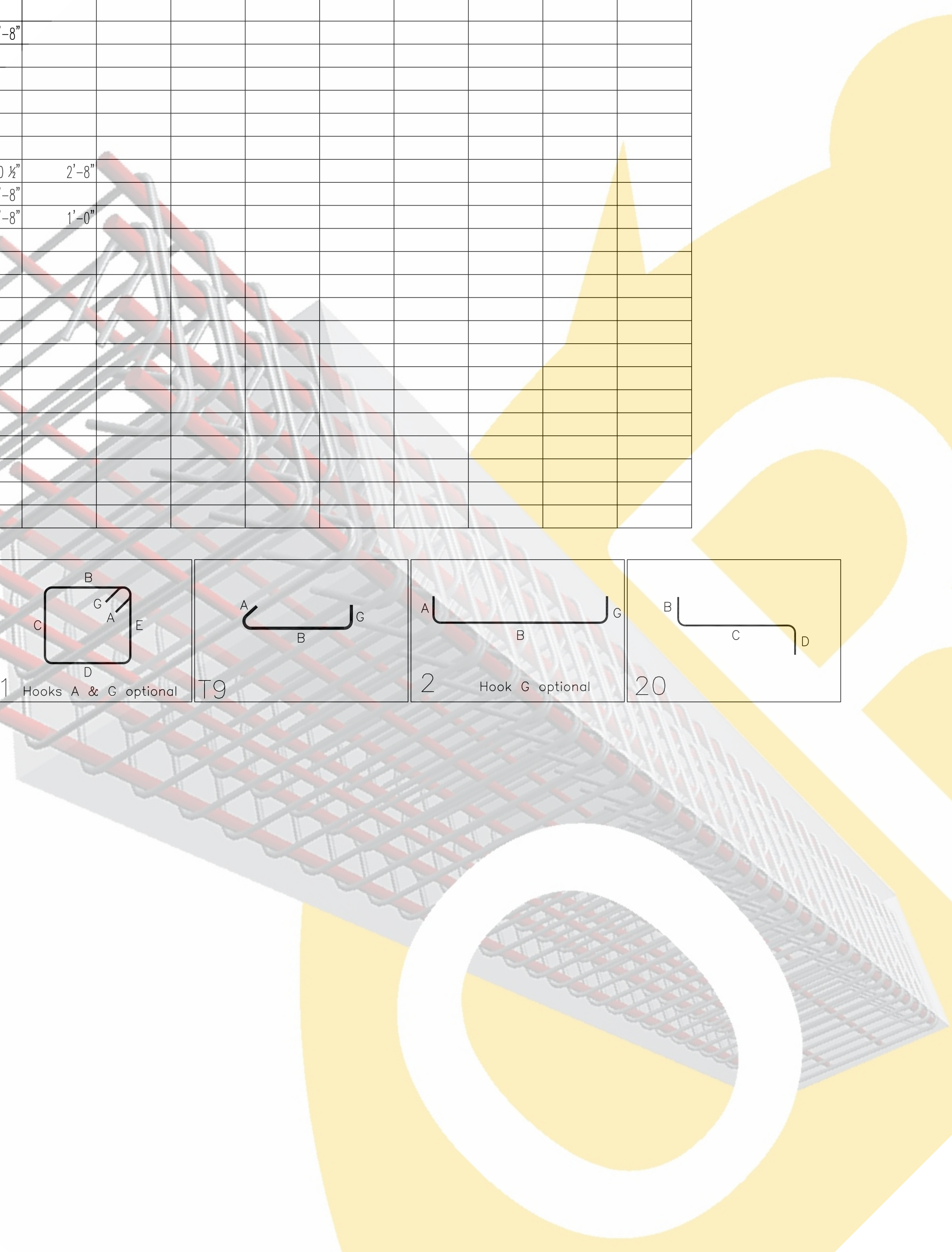
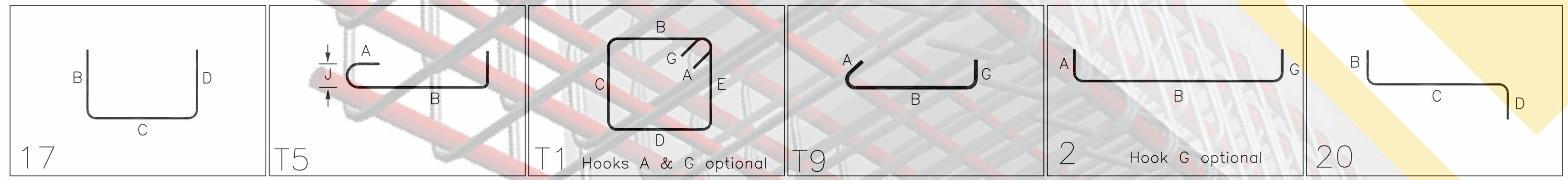
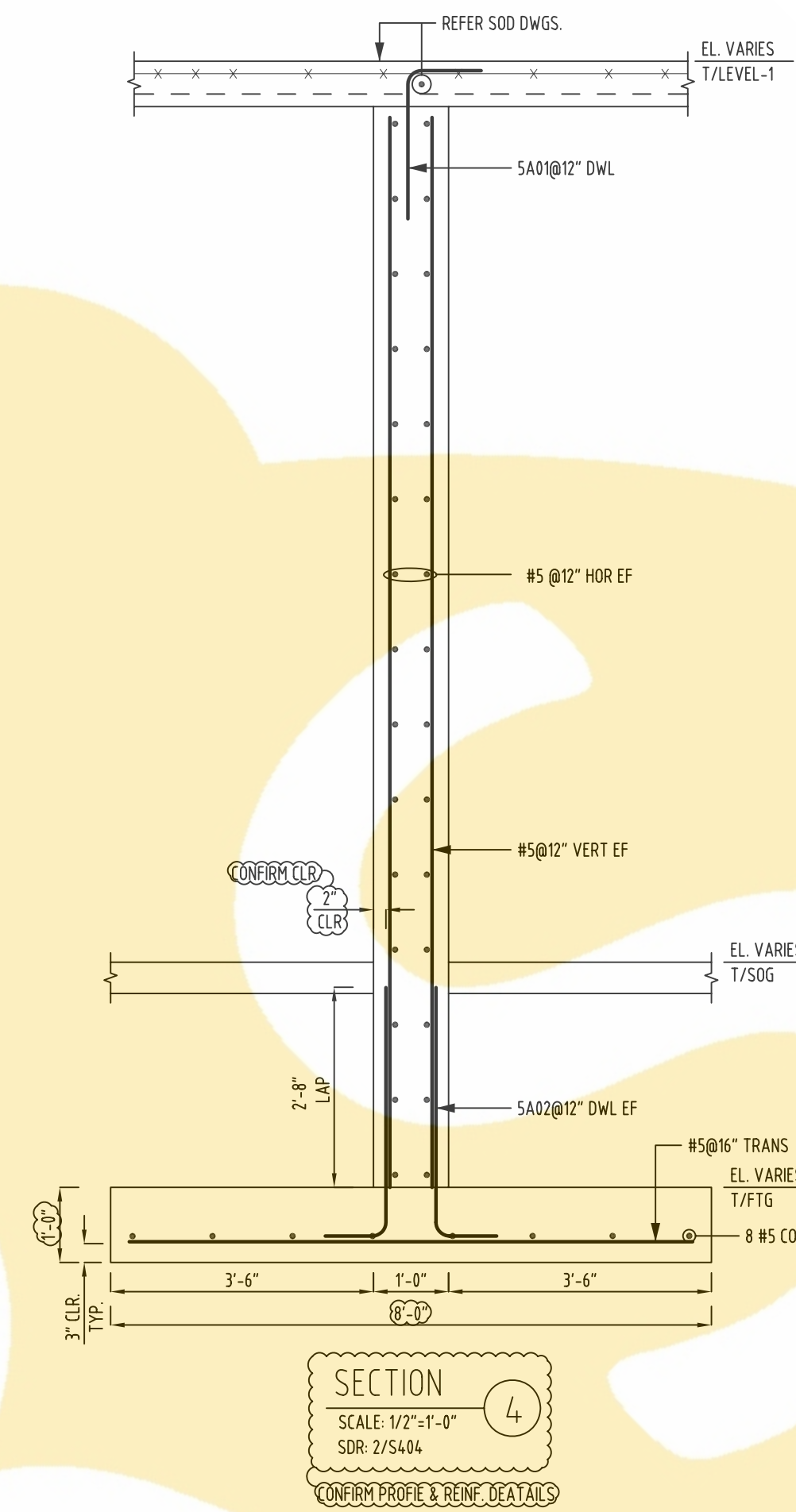


ONCE REBAR SERVICES

ONCE REBAR SERVICES

Release Number: R1.01-R1.06

| BENDING DETAILS | | | | | | | | | | | | | | | | |
|-----------------|------|------|--------------|------|-----------|--------|-----------|-------|-------|-----|-----------|-----|-------|-----|-----|-----|
| Bar Mark | Qty | Size | Total Length | Type | 'A' | 'B' | 'C' | 'D' | 'E' | 'F' | 'G' | 'H' | 'J' | 'K' | 'O' | 'R' |
| 3A01 | 1352 | #3 | 3'-6" | 17 | | | 1'-2" | 1'-2" | 1'-2" | | | | | | | |
| 3A02 | 1178 | #3 | 2'-5" | T5 | 0'-5" | 1'-8" | | | | | 0'-4" | | 0'-3" | | | |
| 3A03 | 589 | #3 | 7'-4" | T1 | 0'-4" | 1'-8" | 1'-8" | 1'-8" | 1'-8" | | 0'-4" | | | | | |
| 4A01 | 179 | #4 | 7'-5" | T1 | 0'-4 1/2" | 1'-8" | 1'-8" | 1'-8" | 1'-8" | | 0'-4 1/2" | | | | | |
| 4A02 | 358 | #4 | 2'-5" | T9 | 0'-4 1/2" | 1'-8" | | | | | 0'-4 1/2" | | | | | |
| 5A01 | 217 | #5 | 3'-0" | 17 | | 1'-0" | 2'-0" | | | | | | | | | |
| 5A02 | 258 | #5 | 4'-2" | 2 | 0'-10" | 3'-4" | | | | | | | | | | |
| 5A03 | 368 | #5 | 3'-8" | 17 | | 1'-0" | 2'-8" | | | | | | | | | |
| 5A04 | 42 | #5 | 5'-4" | 2 | 0'-10" | 4'-6" | | | | | | | | | | |
| 5A05 | 30 | #5 | 5'-3" | 2 | 0'-10" | 4'-5" | | | | | | | | | | |
| 5A06 | 60 | #5 | 5'-2" | 2 | 0'-10" | 4'-4" | | | | | | | | | | |
| 5A07 | 8 | #5 | 5'-1" | 2 | 0'-10" | 4'-3" | | | | | | | | | | |
| 5A08 | 14 | #5 | 4'-8" | 2 | 0'-10" | 3'-10" | | | | | | | | | | |
| 5A09 | 5 | #5 | 6'-4 1/2" | 20 | | 2'-8" | 1'-0 1/2" | 2'-8" | | | | | | | | |
| 5A10 | 16 | #5 | 5'-4" | 17 | | 2'-8" | 2'-8" | 2'-8" | | | | | | | | |
| 5A11 | 15 | #5 | 2'-8" | 17 | | 1'-0" | 0'-8" | 1'-0" | | | | | | | | |
| 5A12 | 16 | #5 | 4'-4" | 2 | 0'-10" | 3'-6" | | | | | | | | | | |
| 6A01 | 8 | #6 | 4'-10" | 2 | 1'-0" | 3'-10" | | | | | | | | | | |
| 8A01 | 112 | #8 | 8'-2" | 2 | 1'-4" | 6'-10" | | | | | | | | | | |
| 8A02 | 56 | #8 | 8'-1" | 2 | 1'-4" | 6'-9" | | | | | | | | | | |
| 8A03 | 8 | #8 | 4'-4" | 2 | 1'-4" | 3'-0" | | | | | | | | | | |
| 8A04 | 128 | #8 | 7'-8" | 2 | 1'-4" | 6'-4" | | | | | | | | | | |
| 8A05 | 56 | #8 | 7'-2" | 2 | 1'-4" | 5'-10" | | | | | | | | | | |
| 8A06 | 24 | #8 | 8'-3" | 2 | 1'-4" | 6'-11" | | | | | | | | | | |
| 8A07 | 16 | #8 | 8'-7" | 2 | 1'-4" | 7'-3" | | | | | | | | | | |
| 8A08 | 8 | #8 | 7'-3" | 2 | 1'-4" | 5'-11" | | | | | | | | | | |
| 8A09 | 8 | #8 | 7'-6" | 2 | 1'-4" | 6'-2" | | | | | | | | | | |
| 8A10 | 8 | #8 | 7'-0" | 2 | 1'-4" | 5'-8" | | | | | | | | | | |
| 8A11 | 24 | #8 | 8'-4" | 2 | 1'-4" | 7'-0" | | | | | | | | | | |



SECTION 4
SCALE: 1/2"=1'-0"
SDR: 2/S404
CONFIRM PROPS & BEND DETAILS